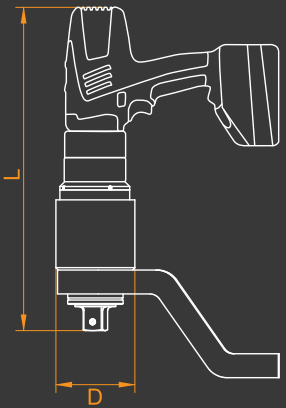




BATTERY OPERATED TORQUE WRENCHES

STRAIGHT VERSION

- Rotary drive 360°
- Brushless motor – very powerful
- Lithium-ion rechargeable batteries 18V – 6 Ah with charge indicator
- 4-gears (speeds)
- Included: battery torque wrench, reaction arm, two batteries, charger, carry case, certificate of calibration and torque table.



PRODUCT DESCRIPTION

Battery operated torque wrenches (nutrunners) have an electronics which switches off the tool when the torque is reached. Accuracy of $\pm 3.5\%$. They are fast, precise, safe and quiet. They are equipped with lithium ion batteries of capacity 6Ah.

Direction switch (screw / unscrew). The quick charger ensures that the battery is fully charged in about 30-40 minutes. They have a visual signal when the battery is charged. There is a possibility of producing a battery torque wrenches for the individual needs of the customer. The rotary 360° drive makes that the work becomes extremely comfortable (convenient position). Tools manufactured in Poland by BEWO-TECH company.

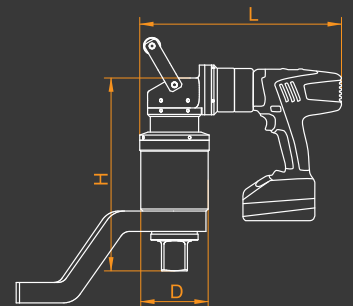
Type	Range [Nm]	Drive [square]	Diameter D [mm]	Length L [mm]	Reaction weight [kg]	Total weight [kg]	Speed [rpm]
BA-850	50-850	3/4"	78	369	2,9	5,5	70
BA-1000	100-1000	1"	78	369	2,9	5,5	66
BA-2000	100-2000	1"	87	375	2,9	6,9	39
BA-2500	100-2500	1"	87	407	2,9	7,6	18
BA-3000	100-3000	1"	87	407	2,9	7,7	12
BA-4000	150-4000	1 1/2"	87	417	4,7	8,3	12
BA-5000	150-5000	1 1/2"	99	424	4,7	9,5	10
BA-8000	600-8000	1 1/2"	0	0	4,7	0	0



BATTERY OPERATED TORQUE WRENCHES

ANGLED VERSION

- Rotary drive 360° horizontally and vertically
- Brushless motor – very powerful
- Lithium-ion rechargeable batteries 18V – 6 Ah with charge indicator
- 4-gears (speeds)
- Included: battery torque wrench, reaction arm, two batteries, charger, carry case, certificate of calibration and torque table.



PRODUCT DESCRIPTION

Battery operated torque wrenches (nutrunners) have an electronics which switches off the tool when the torque is reached. Accuracy of $\pm 3.5\%$. They are fast, precise, safe and quiet. They are equipped with lithium ion batteries of capacity 6Ah.

Direction switch (screw / unscrew). The quick charger ensures that the battery is fully charged in about 30-40 minutes. They have a visual signal when the battery is charged. There is a possibility of producing a battery nutrunner for the individual needs of the customer. The reversible two-way drive (360°) makes the job extremely comfortable (convenient position). Tools manufactured in Poland by BEWO-TECH company.

Type	Range [Nm]	Drive [square]	Diameter D [mm]	Length L [mm]	Height H [mm]	Reaction weight [kg]	Total weight [kg]	Speed [rpm]
BAK-1000	100-1000	1"	78	303	272	2,9	8,7	66
BAK-1500	100-1500	1"	87	303	286	2,9	9,3	39
BAK-2500	100-2500	1"	87	303	318	2,9	10	18
BAK-3000	100-3000	1"	87	303	318	2,9	10	12
BAK-3500	100-3500	1 1/2"	87	303	318	4,7	10,5	11
BAK-4000	150-4000	1 1/2"	99	303	318	4,7	10,5	10
BAK-5000	150-5000	1 1/2"	99	303	332	4,7	12,5	9

BEWO-TECH TORQUE SYSTEMS

st. Centralna 40, 43-210 Kobiór, Poland, tel: +48 32 307 07 08, e-mail: info@bewo.pl
NIP: PL6462533099, ING 16 1050 1214 1000 0090 7868 0676

