

HTW | MANUAL TORQUE WRENCHES - BREAK BACK TYPE

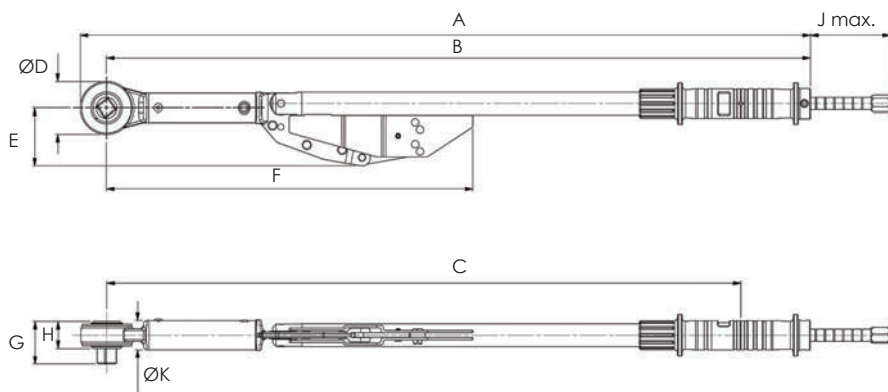


Torque capacities from 300 to 2000 Nm

Repeatable accuracy +/- 4%

Dual scale Nm & lbf.ft

- ▶ Choice of 3/4" or 1" square drive sizes
- ▶ Robust steel construction with corrosion resistant finish
- ▶ Push-through square drive for bi-directional torque control
- ▶ Internal cam control ensures controlled 'break' once preset torque is achieved
- ▶ Large break angle prevents possibility of over torqueing
- ▶ Wrench automatically resets once hand pressure is released
- ▶ Marked with a unique serial number and supplied with calibration certificate
- ▶ Supplied in handy plastic storage case



Model number	Square drive	Torque range		Overall length (mm)	Ratchet head dia (mm)	Weight (kg)	Dimensions (mm)									
		Nm	lbf.ft				A	B	C	ØD	E	F	G	H	J max.	ØK
HTW1000B	3/4"	300 - 1000	200 - 750	1554	69	7.4	1449	1415	1324	69	75	974	55	35	105	38
HTW1500B	3/4"	700 - 1500	500 - 1000	1869	69	9.6	1764	1730	1635	69	75	1379	55	35	105	38
HTW1800B	1"	700 - 1500	500 - 1000	1869	69	9.6	1764	1730	1635	69	75	1379	63	35	105	38
HTW2000B	1"	900 - 2000	700 - 1500	1940	69	12.8	1855	1820	1773	69	75	1379	63	35	85	38