

TWS-N | HYDRAULIC TORQUE WRENCHES - SQUARE DRIVE

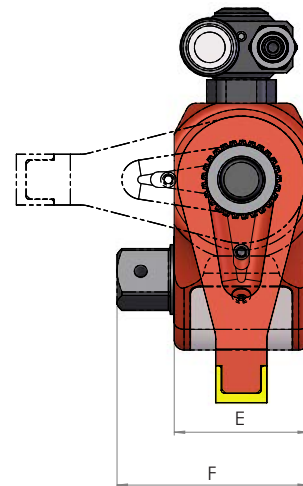
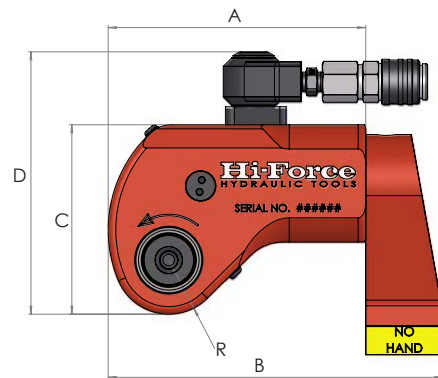


Torque capacities up to 36992 Nm

Torque accuracy of +/- 3%

Working pressure 700 bar

- ▶ Compact, lightweight aluminium body construction
- ▶ Output torque capacities from 1727 to 36992 Nm (1254 to 26860 lbf.ft)
- ▶ Choice of square drive sizes from 3/4" to 2 1/2"
- ▶ Reversible square drive for tightening or loosening applications
- ▶ Multi-position reaction arm with safety lock feature
- ▶ Fitted with 360° uni-swivel quick release couplings for easy positioning of hydraulic hoses during operation
- ▶ High quality torque wrench sockets for use with TWS-N range hydraulic wrenches are listed on pages 85 and 86
- ▶ Optional allen hex drives available from 1/2" to 2 1/4" and 14 to 60 mm (see page 87)



Model number	Torque capacity		Square drive size	Weight including reaction foot (kg)	Dimensions (mm)						
	Nm at 700 bar	lbf.ft at 10,000 psi			A	B	C	D	E	F	R
TWS17N	1727	1254	3/4"	1.9	129	167	90	131	51	73	28.5
TWS45N	4529	3289	1"	4.8	167	218	121	170	68	98	36
TWS100N	10064	7427	1 1/2"	9.0	223	293	163	211	92	135	46
TWS150N	14974	10873	1 1/2"	15.0	247	323	192	236	100	141	54
TWS370N	36992	26860	2 1/2"	32.5	329	432	240	288	137	204	66