

SBT | SPRING RETURN BOLT TENSIONERS - IMPERIAL

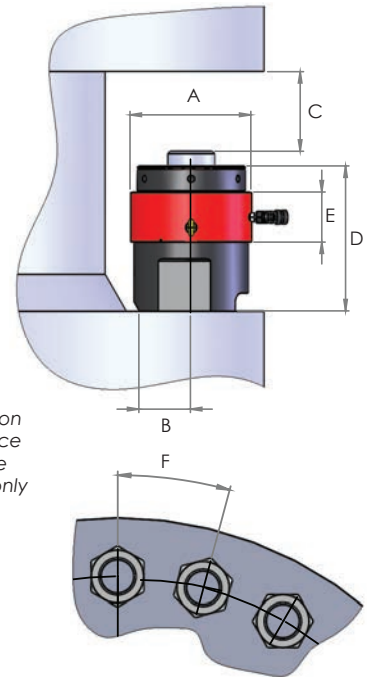


Capacities from 457 to 2649 kN

Bolt sizes from 1 1/4" to 4" diameter

Maximum working pressure 1500 bar

- ▶ Single acting design with spring assisted piston retraction
- ▶ High grade alloy steel construction with nitrocarburised, corrosion resistant, piston
- ▶ Maximum stroke indicator to warn against piston over extension
- ▶ Safety over stroke device to protect operator from injury
- ▶ Self-energising seals for improved performance and longevity at high pressure
- ▶ Dual quick connect inlet and outlet couplings for easy multiple tensioner connection
- ▶ Designed to fit most sizes of ANSI and API flanges and some Compact flanges
- ▶ Interchangeable accessories to cover multiple stud bolt sizes using same tensioner
- ▶ Non-standard size threaded pullers available to order on short delivery lead time
- ▶ Customised and special design tensioners are available on request



Note: Dimension F is for guidance on ANSI flange applications only

Model number	Bolt thread size	Threads per inch	Capacity		Effective area (cm ²)	Stroke (mm)	Weight (kg)	Dimensions (mm)					
			kN	tonnes				A	B	C (min)	D	E	F
SBT2-125B1	1 1/4"	8	457	46.6	30.5	15	4.0	102	39	127	164	91	74
SBT2-137B1	1 3/8"	8	457	46.6	30.5	15	4.0	102	39	127	164	91	77
SBT2-150B1	1 1/2"	8	457	46.6	30.5	15	4.0	102	39	123	164	91	80
SBT3-162B1	1 5/8"	8	822	83.8	54.8	15	6.7	137	47	146	188	94	92
SBT3-175B1	1 3/4"	8	822	83.8	54.8	15	6.7	137	47	143	188	94	93
SBT3-175B2	1 3/4"	8	822	83.8	54.8	15	7.2	137	50	148	193	94	94
SBT3-187B1	1 7/8"	8	822	83.8	54.8	15	6.7	137	47	139	188	94	97
SBT3-187B2	1 7/8"	8	822	83.8	54.8	15	7.2	137	50	144	193	94	104
SBT3-200B2	2"	8	822	83.8	54.8	15	7.2	137	50	141	193	94	104
SBT4-187B1	1 7/8"	8	1264	128.9	84.3	15	11.0	167	50	147	197	97	104
SBT4-200B1	2"	8	1264	128.9	84.3	15	11.0	167	50	143	197	97	104
SBT4-200B2	2"	8	1264	128.9	84.3	15	12.2	167	62	155	213	97	106
SBT4-225B2	2 1/4"	8	1264	128.9	84.3	15	12.2	167	62	150	213	97	121
SBT4-250B2	2 1/2"	8	1264	128.9	84.3	15	12.2	167	62	145	213	97	127
SBT5-250B1	2 1/2"	8	1833	186.9	122.2	15	16.5	209	73	162	229	102	134
SBT5-275B1	2 3/4"	8	1833	186.9	122.2	15	16.5	209	73	156	229	102	140
SBT5-300B1	3"	8	1833	186.9	122.2	15	16.5	209	73	149	229	102	147
SBT6-300B1	3"	8	2649	270	176.6	15	24.0	246	84	174	254	103	161
SBT6-325B1	3 1/4"	8	2649	270	176.6	15	24.0	246	84	169	254	103	167
SBT6-350B1	3 1/2"	8	2649	270	176.6	15	24.0	246	84	162	254	103	172
SBT6-375B3	3 3/4"	8	2649	270	176.6	15	29.6	246	105	194	295	103	191
SBT6-400B3	4"	8	2649	270	176.6	15	29.6	246	105	189	295	103	196

Note: Weight is for load cell and bridge only. Total weight of complete assembly depends on size of puller and nut rotating socket selected. Tommy bars are not included. Hi-Force recommends one tommy bar for every four tensioners.