

**TL | TOUGHLIFT JACKING SYSTEMS**



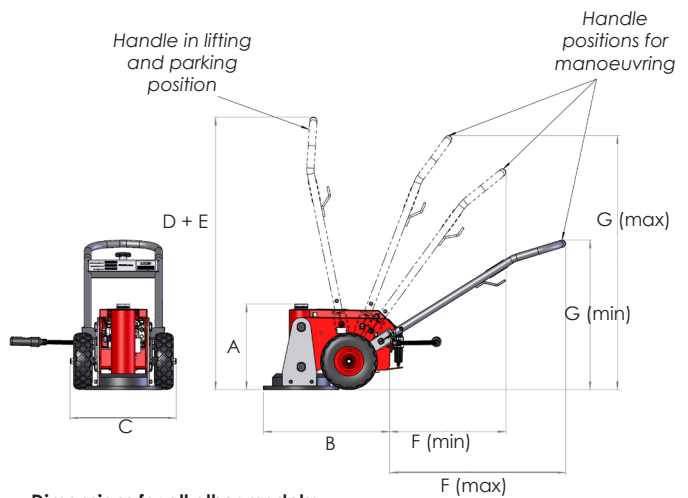
Capacities from 50 to 200 tonnes

Lifting heights up to 685 mm

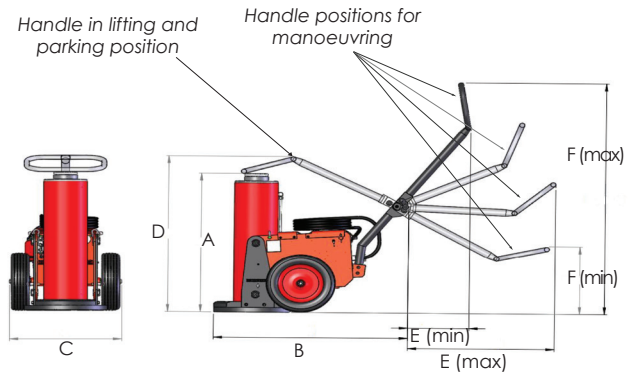
Working pressure 700 bar

- ▶ Choice of air or electric driven hydraulic system
- ▶ High flow 3-stage pump unit offers faster advance and retract times
- ▶ Solid tyres fitted as standard with option of pneumatic tyres
- ▶ Narrow width wheels and redesigned wheel position for better ground clearance and balance when manoeuvring
- ▶ Push button remote hand pendant controller with 5 metres control cable
- ▶ Tilting saddles fitted as standard on all models
- ▶ User friendly design with easily accessible maintenance features
- ▶ Wide range of accessories available for even greater versatility see pages 75 and 76

Dimensions for 50 tonne models:



Dimensions for all other models:



Model number	Capacity (tonnes)	Power supply	Stroke (mm)	Weight (kg)	Max additional stack (mm)	Dimensions (mm)						
						A	B	C	D	E (min-max)	F (min-max)	G (min-max)
TLA5010	50	6-bar air driven	254	160	680	453	660	560	1440	1440	380-1000	700-1300
TLA5014	50	6-bar air driven	355	170	680	554	660	560	1440	1440	380-1000	700-1300
TLE5010-110V	50	110V electric, 50 Hz	254	168	680	453	660	560	1440	1440	380-1000	700-1300
TLE5010-120V	50	120V electric, 60 Hz	254	168	680	453	660	560	1440	1440	380-1000	700-1300
TLE5010	50	230V electric, 50 Hz	254	168	680	453	660	560	1440	1440	380-1000	700-1300
TLE5010H	50	220V electric, 60 Hz	254	168	680	453	660	560	1440	1440	380-1000	700-1300
TLE5014-110V	50	110V electric, 50 Hz	355	178	680	554	660	560	1440	1440	380-1000	700-1300
TLE5014-120V	50	120V electric, 60 Hz	355	178	680	554	660	560	1440	1440	380-1000	700-1300
TLE5014	50	230V electric, 50 Hz	355	178	680	554	660	560	1440	1440	380-1000	700-1300
TLE5014H	50	220V electric, 60 Hz	355	178	680	554	660	560	1440	1440	380-1000	700-1300
TLA10016	100	6-bar air driven	405	289	480	665	1130	652	831	356-854	465-1605	-
TLA10021	100	6-bar air driven	530	319	180	843	1130	652	946	356-855	465-1606	-
TLA15015	150	6-bar air driven	390	313	485	665	1130	652	835	356-856	465-1607	-
TLA15020	150	6-bar air driven	520	349	180	843	1130	652	963	356-857	465-1608	-
TLA20015	200	6-bar air driven	381	373	500	660	1130	652	830	356-858	465-1609	-
TLA20027	200	6-bar air driven	685	453	180	964	1130	652	1085	356-859	465-1610	-

Note: 100, 150 and 200 tonne electric driven Hi-Force ToughLift jacking systems available on request